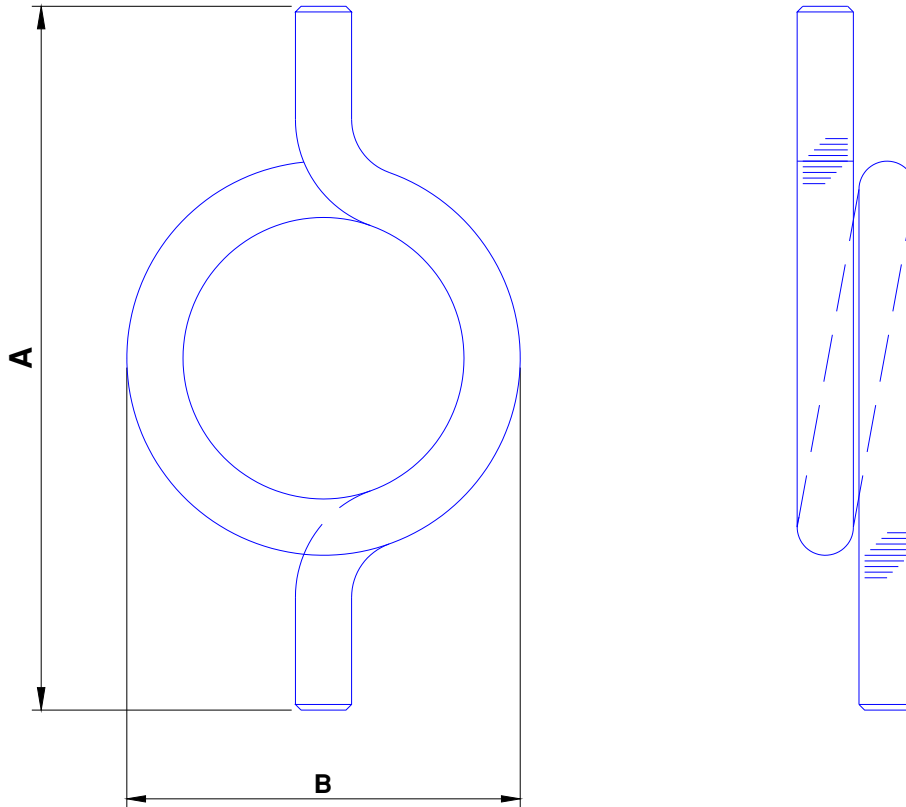




**S.D.INDUSTRIES**

## **SYPHONS**

**MODEL : SS**



### **SYPHON**

- Syphons should be used in all steam applications. Pigtail steam syphons protect the instrument from damaging effects of direct exposure to high temperature steam.
- To properly install and use a syphon, install the syphon in the pressure port, fill the syphon with water and install the pressure gauge. The water will fill the lower half of the coil and will act as a protective barrier between the high temperature steam and the pressure gauge.

### **FEATURES**

- Syphons are available with butt weld and threaded end connections.

#### **Material**

- Steel, Stainless steel
- All valves are 100% Factory tested prior to shipment.