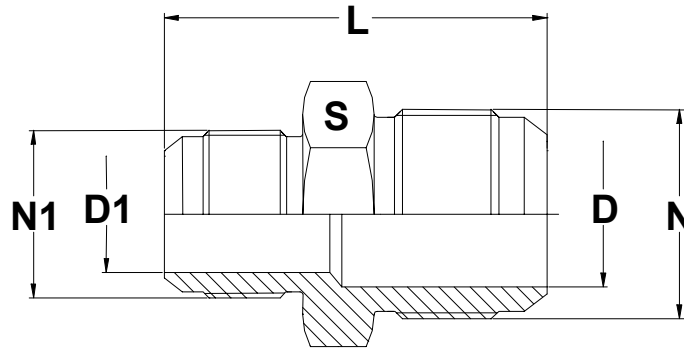


REDUCING UNION



TUBE OD		TUBE OD		UN / UNF	THREAD	S	L	D	D1	PART NO.
mm	inch	mm	inch	N	N1	mm	mm	mm	mm	
10	3/8	6	1/4	9/16 -18	7/16 -20	16	36	7.5	4.5	6-4F-UR
12	1/2	10	3/8	3/4 -16	9/16 -18	19	39.5	10	7.5	8-6F-UR
14/15/16	5/8	12	1/2	7/8 -14	3/4 -16	24	45	12	10	10-8F-UR
18/20	3/4	12	1/2	1 1/16 -12	3/4 -16	27	49	15.5	10	12-8F-UR
18/20	3/4	14/15/16	5/8	1 1/16 -12	7/8 -14	27	52	15.5	12	12-10F-UR
25	1	18/20	3/4	1 5/16 -12	1 1/16 -12	36	56	21	15.5	16-12F-UR

S.D.INDUSTRIES.

An ISO 9001 : 2000 Company

Hydraulics, Pneumatics, Instrumentation Fittings, Manifolds & Valves

2/10, Singh Industrial Estate, Ram Mandir Road, Goregaon (W), Mumbai-400 104, India

◆ Phone: +91 22 28724724, +91 22 28738511 ◆ Fax: +91 22 28752130

◆ Email: sdind@vsnl.com ◆ www.sdinds.com

"We Deliver Confidence Through Quality Products."