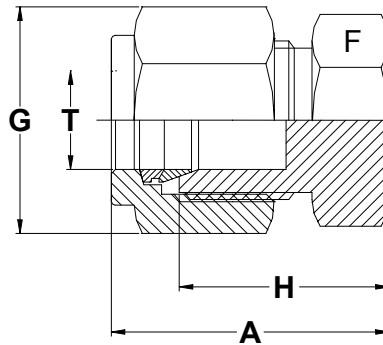


PIPE END CLOSURE



TUBE OD - T	A	F	G	H	PART NO.
mm	mm	mm	mm	mm	
3	20.1	11	11	13.5	D-PLUG3
6	23.4	14	14	15.7	D-PLUG6
8	24.5	16	16	17	D-PLUG8
10	26.6	17	19	19	D-PLUG10
12	29.1	22	22	19	D-PLUG12
14	29.9	24	25	19.8	D-PLUG14
15	29.9	24	25	19.8	D-PLUG15
16	29.9	24	25	19.8	D-PLUG16
18	31.4	27	30	21.3	D-PLUG18
20	34	32	32	23.9	D-PLUG20
22	34	32	32	23.9	D-PLUG22
25	38.5	35	38	26.2	D-PLUG25

TUBE OD - T	A	F	G	H	PART NO.
inch	mm	mm	mm	mm	
1/8	20	11	11	13.5	2D-PLUG
1/4	23.4	14	14	16	4D-PLUG
5/16	24.4	16	16	17	5D-PLUG
3/8	25.7	17	17	18.3	6D-PLUG
1/2	29.2	22	22	19	8D-PLUG
5/8	30	24	25	19.8	10D-PLUG
3/4	31.5	27	28.5	21.4	12D-PLUG
7/8	34	35	32	23.9	14D-PLUG
1	38.4	35	38	26.2	16D-PLUG

S.D.INDUSTRIES.

An ISO 9001 : 2000 Company

Hydraulics, Pneumatics, Instrumentation Fittings, Manifolds & Valves

2/10, Singh Industrial Estate, Ram Mandir Road, Goregaon (W), Mumbai-400 104, India

◆ Phone: +91 22 28791745 / 55 / 56 ◆ Fax: +91 22 28752130

◆ Email: sdind@vsnl.com ◆ www.sdindustries.com

"We Deliver Confidence Through Quality Products."