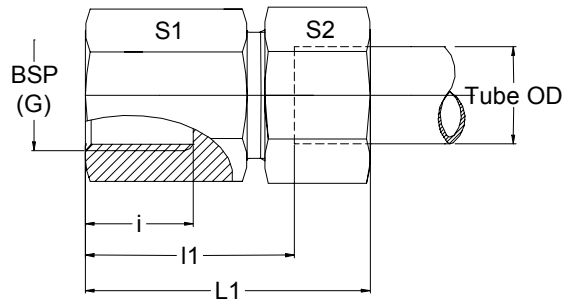


**FEMALE CONNECTOR (STUD END PARALLEL THREAD)  
METRIC OD TUBES X BSP FEMALE THREAD-G**



	SERIES	TUBE OD.	S1	S2	L1	l1	i	BSP THREAD		
								G	PART NO.	
METRIC SIZE TUBE	L	250 Kg/cm <sup>2</sup>	6	14	14	30	15	8	1/8	FC6L-G2
			8	19	17	34	19	12	1/4	FC8L-G4
			10	19	19	35	20	12	1/4	FC10L-G4
			12	22	22	36	21	12	3/8	FC12L-G6
			15	27	27	39	24	14	1/2	FC15L-G8
	160 Kg/cm <sup>2</sup>	18	27	32	40	23.5	14	1/2	FC158L-G8	
		22	32	36	45	28.5	16	3/4	FC22L-G12	
		28	41	41	47	30.5	18	1	FC28L-G16	
	100Kg/cm <sup>2</sup>	35	50	50	54	32.5	20	1 1/4	FC35L-G20	
		42	55	60	57	34	22	1 1/2	FC42L-G24	
	H	630 Kg/cm <sup>2</sup>	6	19	17	36	21	12	1/4	FC6H-G4
			8	19	19	36	21	12	1/4	FC8H-G4
			10	24	22	38	21.5	12	3/8	FC10H-G6
			12	24	24	38	21.5	12	3/8	FC12H-G6
			14	27	27	44	26	14	1/2	FC14H-G8
		400 Kg/cm <sup>2</sup>	16	27	30	44	25.5	14	1/2	FC16H-G8
			20	36	36	50	28.5	16	3/4	FC20H-G12
			25	41	46	55	31	18	1	FC25H-G16
250 Kg/cm <sup>2</sup>		30	55	50	62	35.5	20	1 1/4	FC30H-G20	
		38	60	60	68	37	22	1 1/2	FC38H-G24	

**S.D.INDUSTRIES.**

An ISO 9001 : 2000 Company

**Hydraulics, Pneumatics, Instrumentation Fittings, Manifolds & Valves**

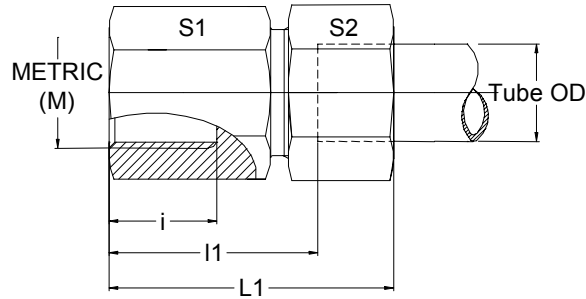
2/10, Singh Industrial Estate, Ram Mandir Road, Goregaon (W), Mumbai-400 104, India

◆ Phone: +91 22 28724724, +91 22 28738511 ◆ Fax: +91 22 28752130

◆ Email: [sdind@vsnl.com](mailto:sdind@vsnl.com) ◆ [www.sdinds.com](http://www.sdinds.com)

***"We Deliver Confidence Through Quality Products."***

**FEMALE CONNECTOR (STUD END PARALLEL THREAD)  
METRIC OD TUBES X METRIC FEMALE THREAD-M**



SERIES		TUBE OD.	S1	S2	L1	l1	i	BSP THREAD		
								M	PART NO.	
METRIC SIZE TUBE	L	250 Kg/cm <sup>2</sup>	6	14	14	30	15	8	M10 X 1	FC6L-M10
			8	19	17	34	19	12	M12 X 1.5	FC8L-M12
			10	19	19	35	20	12	M14 X 1.5	FC10L-M14
			12	22	22	36	21	12	M16 X 1.5	FC12L-M16
			15	27	27	39	24	14	M18 X 1.5	FC15L-M18
		160 Kg/cm <sup>2</sup>	18	27	32	40	23.5	14	M22 X 1.5	FC158L-M22
			22	32	36	45	28.5	16	M26 X 1.5	FC22L-M26
			100Kg/cm <sup>2</sup>	28	41	41	47	30.5	18	M33 X 2
		35		50	50	54	32.5	20	M42 X 2	FC35L-M42
				42	55	60	57	34	22	M48 X 2
	H	630 Kg/cm <sup>2</sup>	6	19	17	36	21	12	M12 X 1.5	FC6H-M12
			8	19	19	36	21	12	M14 X 1.5	FC8H-M14
			10	24	22	38	21.5	12	M16 X 1.5	FC10H-M16
			12	24	24	38	21.5	12	M18 X 1.5	FC12H-M18
14			27	27	44	26	14	M20 X 1.5	FC14H-M20	
400 Kg/cm <sup>2</sup>		16	27	30	44	25.5	14	M22 X 1.5	FC16H-M22	
		20	36	36	50	28.5	16	M27 X 1.5	FC20H-M27	
		25	41	46	55	31	18	M33 X 2	FC25H-M33	
250 Kg/cm <sup>2</sup>		30	55	50	62	35.5	20	M42 X 2	FC30H-M42	
		38	60	60	68	37	22	M48 X 2	FC38H-M48	

**S.D.INDUSTRIES.**

An ISO 9001 : 2000 Company

**Hydraulics, Pneumatics, Instrumentation Fittings, Manifolds & Valves**

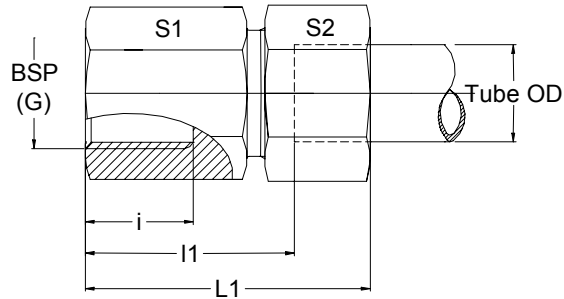
2/10, Singh Industrial Estate, Ram Mandir Road, Goregaon (W), Mumbai-400 104, India

◆ Phone: +91 22 28724724, +91 22 28738511 ◆ Fax: +91 22 28752130

◆ Email: [sdind@vsnl.com](mailto:sdind@vsnl.com) ◆ [www.sdinds.com](http://www.sdinds.com)

**"We Deliver Confidence Through Quality Products."**

**FEMALE CONNECTOR (PARALLEL)  
INCH OD TUBES X BSP FEMALE THREAD-G**



INCH SIZE OD TUBE	SERIES	TUBE OD.	S1	S2	L1	l1	i	BSP THREAD	
								G	PART NO.
	6000 PSI	1/4"	0.75	0.67	1.42	0.79	0.43	1/4	4FCG
		1/4"	0.87	0.67	1.53	0.94	0.50	3/8	4-6FCG
		3/8"	0.87	0.75	1.52	0.88	0.50	3/8	6FCG
		3/8"	1.06	0.75	1.65	1.00	0.63	1/2	6-8FCG
		1/2"	0.87	0.94	1.50	0.83	0.50	3/8	8-6FCG
		1/2"	0.95	0.94	1.63	0.96	0.63	1/2	8FCG
		3/4"	1.25	1.25	2.00	1.14	0.75	3/4	12FCG
		1"	1.61	1.75	2.30	1.35	0.88	1	16FCG
	3000 PSI	1 1/4"	2.00	1.97	2.56	1.50	1.00	1 1/4	20FCG
		1 1/2"	2.36	2.36	2.90	1.63	1.00	1 1/2	24FCG.

**S.D.INDUSTRIES.**

An ISO 9001 : 2000 Company

**Hydraulics, Pneumatics, Instrumentation Fittings, Manifolds & Valves**

2/10, Singh Industrial Estate, Ram Mandir Road, Goregaon (W), Mumbai-400 104, India

◆ Phone: +91 22 28724724, +91 22 28738511 ◆ Fax: +91 22 28752130

◆ Email: [sdind@vsnl.com](mailto:sdind@vsnl.com) ◆ [www.sdinds.com](http://www.sdinds.com)

***"We Deliver Confidence Through Quality Products."***