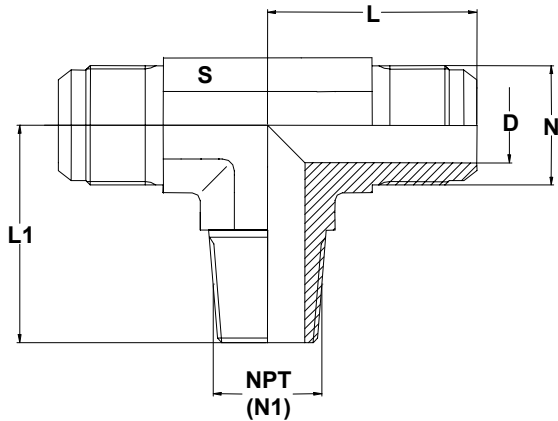
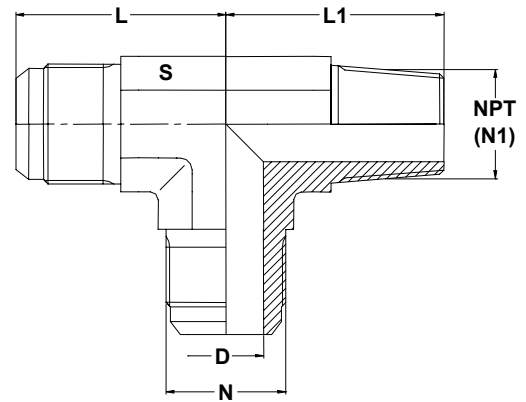


**MALE STUD TEE  
STUD END THREAD: NPT**

**MALE BRANCH TEE**



**MALE RUN TEE**



TUBE OD		UN / UNF	THREAD NPT/NPTF	S	L	L1	D	PART NO.
mm	inch	N	N1	mm	mm	mm	mm	
6	1/4	7/16 -20	1/8 -27	11	22.6	20	4.4	4-2F-MRTN
6	1/4	7/16 -20	1/4 -18	14	26.5	27.5	4.4	4F-MRTN
8	5/16	1/2 -20	1/8 -27	13	24.5	20	6	5-2F-MRTN
10	3/8	9/16 -18	1/4 -18	14	26.9	27.7	7.5	6-4F-MRTN
10	3/8	9/16 -18	3/8 -18	19	29	31	7.5	6F-MRTN
12	1/2	3/4 -16	3/8 -18	19	31.8	31	9.9	8-6F-MRTN
12	1/2	3/4 -16	1/2 -14	22	33.8	37.3	9.9	8F-MRTN
14/15/16	5/8	7/8 -14	1/2 -14	22	36.8	37.3	12.3	10-8F-MRTN
18/20	3/4	1 1/16 -12	3/4 -14	27	42.2	40.4	15.5	12F-MRTN
25	1	1 5/16 -12	1 -11.5	33	46	50	21.5	16F-MRTN
28/30/32	1 1/4	1 5/8 -12	1 1/4 -11.5	41	52.5	60.5	27.5	20F-MRTN
35/38	1 1/2	1 7/8 -12	1 1/2 -11.5	48	59	67	33	24F-MRTN

**NOTE:**  
THE PART NUMBERS GIVEN HERE ARE FOR TAPER MALE RUN TEE.  
CORRESPONDING PART NUMBERS FOR TAPER MALE BRANCH RUN TEE CAN BE OBTAINED  
BY SUBSTITUTING 'F-MBT' FOR 'F-MRT'.

**S.D.INDUSTRIES.**

An ISO 9001 : 2000 Company

**Hydraulics, Pneumatics, Instrumentation Fittings, Manifolds & Valves**

2/10, Singh Industrial Estate, Ram Mandir Road, Goregaon (W), Mumbai-400 104, India

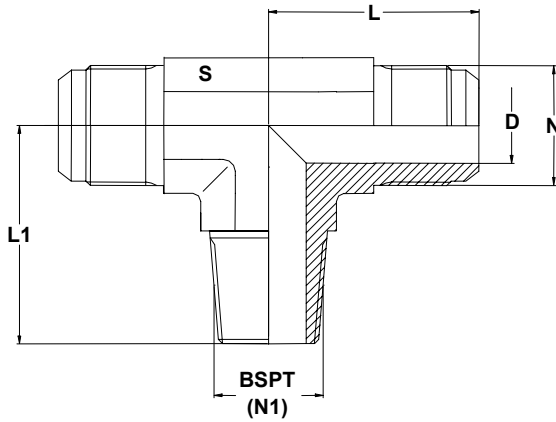
◆ Phone: +91 22 28724724, +91 22 28738511 ◆ Fax: +91 22 28752130

◆ Email: [sdind@vsnl.com](mailto:sdind@vsnl.com) ◆ [www.sdinds.com](http://www.sdinds.com)

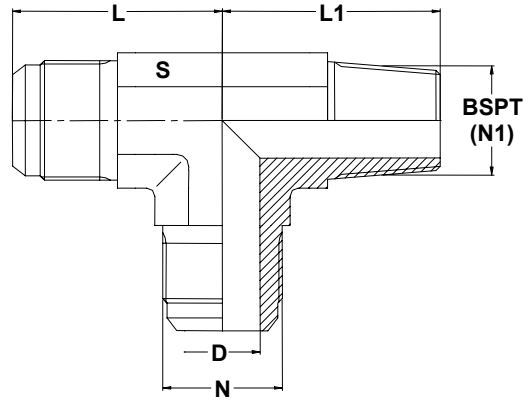
***"We Deliver Confidence Through Quality Products."***

**MALE STUD TEE**  
**STUD END THREAD: BSPT**

**MALE BRANCH TEE**



**MALE RUN TEE**



TUBE OD		THREAD UN / UNF	THREAD BSPT	S	L	L1	D	PART NO.
mm	inch	N	N1	mm	mm	mm	mm	
6	1/4	7/16 -20	1/8 -28	11	22.6	19.8	4.4	4-2F-MRTR
8	5/16	1/2 -20	1/8 -28	13	24.1	19.8	6	5-2F-MRTR
10	3/8	9/16 -18	1/4 -19	14	26.9	27.7	7.5	6-4F-MRTR
12	1/2	3/4 -16	3/8 -19	19	31.8	31	9.9	8-6F-MRTR
14/15/16	5/8	7/8 -14	1/2 -14	22	36.8	37.3	12.3	10-8F-MRTR
18/20	3/4	1 1/16 -12	3/4 -14	27	42.2	40.4	15.5	12F-MRTR
25	1	1 5/16 -12	1 -11	33	46	50	21.5	16F-MRTR

**NOTE:**  
 THE PART NUMBERS GIVEN HERE ARE FOR TAPER MALE RUN TEE.  
 CORRESPONDING PART NUMBERS FOR TAPER MALE BRANCH RUN TEE CAN BE OBTAINED  
 BY SUBSTITUTING 'F-MBT' FOR 'F-MRT'.

**S.D.INDUSTRIES.**

An ISO 9001 : 2000 Company

**Hydraulics, Pneumatics, Instrumentation Fittings, Manifolds & Valves**

2/10, Singh Industrial Estate, Ram Mandir Road, Goregaon (W), Mumbai-400 104, India

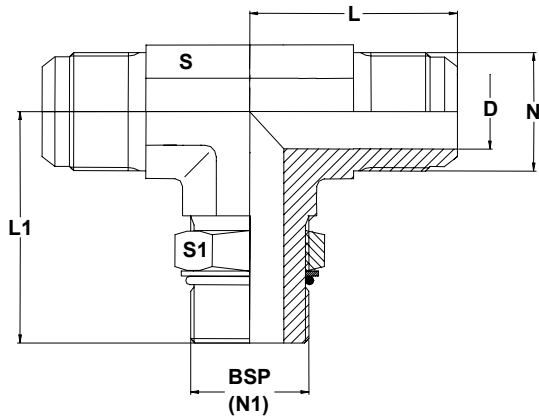
◆ Phone: +91 22 28724724, +91 22 28738511 ◆ Fax: +91 22 28752130

◆ Email: [sdind@vsnl.com](mailto:sdind@vsnl.com) ◆ [www.sdinds.com](http://www.sdinds.com)

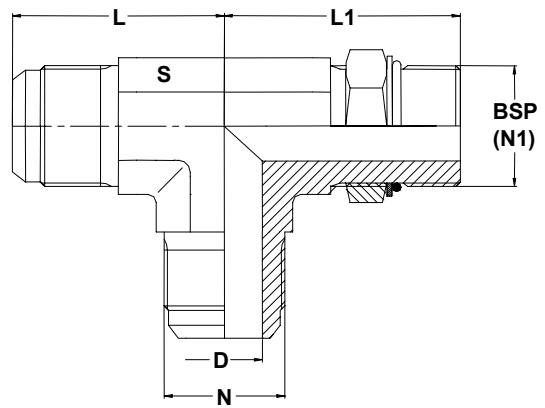
***"We Deliver Confidence Through Quality Products."***

**MALE STUD TEE  
STUD END THREAD: BSP**

**MALE BRANCH TEE**



**MALE RUN TEE**



TUBE OD		THREAD UN / UNF	THREAD BSPT	S	L	L1	D	PART NO.
mm	inch	N	N1	mm	mm	mm	mm	
6	1/4	7/16 -20	1/8 -28	11	22.6	26.2	4.4	4-2F-MRTG
8	5/16	1/2 -20	1/8 -28	13	24.1	27.7	6	5-2F-MRTG
10	3/8	9/16 -18	1/4 -19	14	26.9	31.8	7.5	6-4F-MRTG
12	1/2	3/4 -16	3/8 -19	19	31.8	36.8	9.9	8-6F-MRTG
12	1/2	3/4 -16	1/2 -14	22	33.8	43.2	9.9	8F-MRTG
14/15/16	5/8	7/8 -14	1/2 -14	22	36.8	43.2	12.3	10-8F-MRTG
18/20	3/4	1 1/16 -12	3/4 -14	27	42.2	49.3	15.5	12F-MRTG
25	1	1 5/16 -12	1 -11	33	46	52.1	21.5	16F-MRTG
28/30/32	1 1/4	1 5/8 -12	1 1/4 -11	41	52.3	57.2	27.5	20F-MRTG

**NOTE:**  
THE PART NUMBERS GIVEN HERE ARE FOR PARALLEL MALE RUN TEE.  
CORRESPONDING PART NUMBERS FOR PARALLEL MALE BRANCH TEE CAN BE OBTAINED BY  
SUBSTITUTING 'F-MBT' FOR 'F-MRT'.

**S.D.INDUSTRIES.**

An ISO 9001 : 2000 Company

**Hydraulics, Pneumatics, Instrumentation Fittings, Manifolds & Valves**

2/10, Singh Industrial Estate, Ram Mandir Road, Goregaon (W), Mumbai-400 104, India

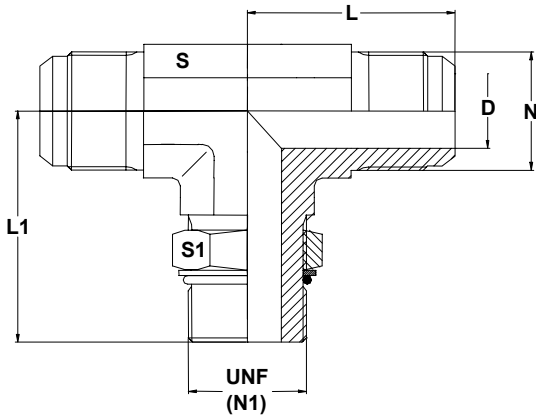
◆ Phone: +91 22 28724724, +91 22 28738511 ◆ Fax: +91 22 28752130

◆ Email: [sdind@vsnl.com](mailto:sdind@vsnl.com) ◆ [www.sdinds.com](http://www.sdinds.com)

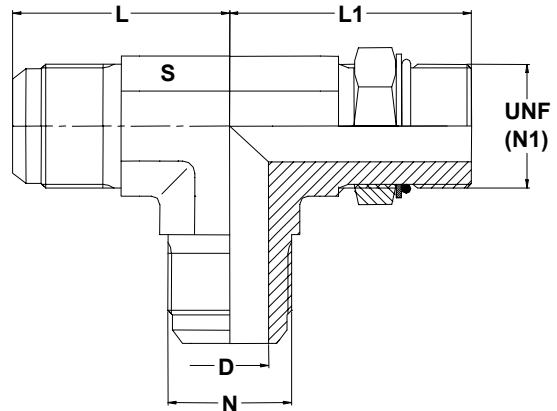
**"We Deliver Confidence Through Quality Products."**

**MALE STUD TEE  
STUD END THREAD: UNF**

**MALE BRANCH TEE**



**MALE RUN TEE**



TUBE OD		THREAD UN / UNF		THREAD UN / UNF	S	L	L1	S1	D	PART NO.	
m	inch	N		N1	mm	mm		mm	mm		
	1/4	7/16	-20	7	-20	11	22.6	26.2	14	4.4	<b>4-7F-MRTU</b>
	5/16		-20	1/2	-20	13	24.1	27.2	17	6	<b>5-8F-MRTU</b>
10	3/8		-18		-20	14	26.9	31.8	17	7.5	<b>6-9F-MRTU</b>
12	1/2	3/4	-16	3/4	-16	19	31.8	36.8	22	9.9	<b>8-12F-MRTU</b>
14/15/16		7/8	-14	7/8	-14	22	36.8	43.2	27	12.3	<b>10-14F-MRTU</b>
18/20	3/4	1	-12	1	-12	27	42.2	49.3	32	15.5	<b>12-17F-MRTU</b>
25	1	1 5/16	-12	1 5/16	-12	33	46	52.1	41	21.5	<b>16-21F-MRTU</b>
28/30/32	1 1/4		-12	1 5/8	-12	41	52.3		50	27.5	<b>20-26F-MRTU</b>
35/38	1 1/2	1 7/8	-12	1 7/8	-12	48	59.2	60.7	55	33	<b>24-30F-MRTU</b>

**NOTE:**  
THE PART NUMBERS GIVEN HERE ARE FOR PARALLEL MALE RUN TEE.  
CORRESPONDING PART NUMBERS FOR PARALLEL MALE BRANCH TEE CAN BE OBTAINED BY  
SUBSTITUTING 'F-MBT' FOR 'F-MRT'.

**S.D.INDUSTRIES.**

An ISO 9001 : 2000 Company

**Hydraulics, Pneumatics, Instrumentation Fittings, Manifolds & Valves**

2/10, Singh Industrial Estate, Ram Mandir Road, Goregaon (W), Mumbai-400 104, India

◆ Phone: +91 22 28724724, +91 22 28738511 ◆ Fax: +91 22 28752130

◆ Email: [sdind@vsnl.com](mailto:sdind@vsnl.com) ◆ [www.sdinds.com](http://www.sdinds.com)

