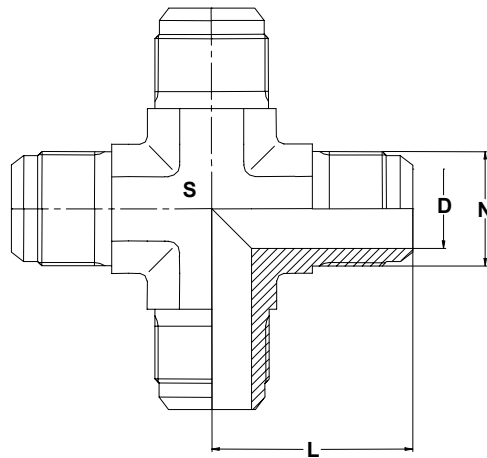


## UNION CROSS



TUBE OD		UN / UNF	S	L	D	PART NO.
mm	inch	N	mm	mm	mm	
6	1/4	7/16 -20	11	22.6	4.4	4F-K
8	5/16	1/2 -20	13	24.1	6	5F-K
10	3/8	9/16 -18	14	26.9	7.5	6F-K
12	1/2	3/4 -16	19	31.8	9.9	8F-K
14/15/16	5/8	7/8 -14	22	36.8	12.3	10F-K
18/20	3/4	1 1/16 -12	27	42.2	15.5	12F-K
25	1	1 5/16 -12	33	46	21.5	16F-K
28/30/32	1 1/4	1 5/8 -12	41	52.3	27.5	20F-K
35/38	1 1/2	1 7/8 -12	48	59.2	33	24F-K

## **S.D.INDUSTRIES.**

An ISO 9001 : 2000 Company

**Hydraulics, Pneumatics, Instrumentation Fittings, Manifolds & Valves**

2/10, Singh Industrial Estate, Ram Mandir Road, Goregaon (W), Mumbai-400 104, India

◆ Phone: +91 22 28724724, +91 22 28738511 ◆ Fax: +91 22 28752130

◆ Email: [sdind@vsnl.com](mailto:sdind@vsnl.com) ◆ [www.sdinds.com](http://www.sdinds.com)

***"We Deliver Confidence Through Quality Products."***