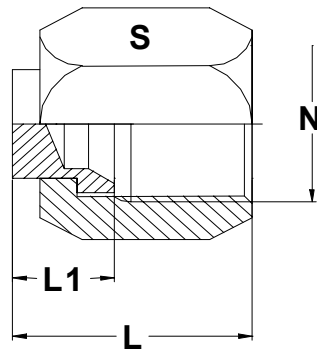


## FITTING END CLOSURE



TUBE OD		UN / UNF N	S mm	L mm	L1 mm	PART NO.
mm	inch					
6	1/4	7/16 -20	14	17	9	4F-CAP
8	5/16	1/2 -20	17	19.5	10.5	5F-CAP
10	3/8	9/16 -18	19	20.5	10.5	6F-CAP
12	1/2	3/4 -16	22	23.9	13	8F-CAP
14/15/16	5/8	7/8 -14	27	27.1	14	10F-CAP
18/20	3/4	1 1/16 -12	32	31.6	14	12F-CAP
25	1	1 5/16 -12	41	32.8	17	16F-CAP
28/30/32	1 1/4	1 5/8 -12	50	35.47	19	20F-CAP
35/38	1 1/2	1 7/8 -12	60	43.2	21	24F-CAP

## **S.D.INDUSTRIES.**

An ISO 9001 : 2000 Company

**Hydraulics, Pneumatics, Instrumentation Fittings, Manifolds & Valves**

2/10, Singh Industrial Estate, Ram Mandir Road, Goregaon (W), Mumbai-400 104, India

◆ Phone: +91 22 28724724, +91 22 28738511 ◆ Fax: +91 22 28752130

◆ Email: [sdind@vsnl.com](mailto:sdind@vsnl.com) ◆ [www.sdinds.com](http://www.sdinds.com)

***"We Deliver Confidence Through Quality Products."***