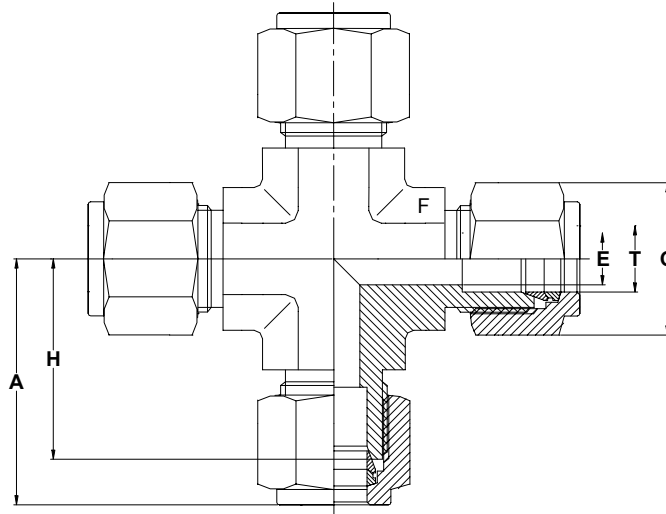


UNION CROSS



	A	E	F	G	H	PART NO.
mm	mm	mm	mm	mm	mm	
3	22.3	2.4	11	11	15.7	D-K3
6	27	4.8	14	14	19.6	D-K6
8	28.8	6.3	16	16	21.3	D-K8
10	31.5	7.9	17	19	23.9	D-K10
12	36	9.5	22	22	25.9	D-K12
16	39.8	12.7	24	25	27.9	D-K16
22	44.6	18.3	32	32	34.5	D-K22
25	49.1	21.8	35	38	36.8	D-K25

TUBE OD - T	A	E	F	G	H	PART NO.
inch	mm	mm	mm	mm	mm	
1/8	22.4	2.4	11	11	15.8	2D-K
1/4	26.9	4.8	14	14	19.6	4D-K
3/8	30.5	7.1	17	17	23.2	6D-K
1/2	36	10.4	22	22	25.9	8D-K
3/4	39.9	15.8	27	28.5	29.7	12D-K
1	49	22.3	35	38	36.8	16D-K

S.D.INDUSTRIES.

An ISO 9001 : 2000 Company

Hydraulics, Pneumatics, Instrumentation Fittings, Manifolds & Valves

2/10, Singh Industrial Estate, Ram Mandir Road, Goregaon (W), Mumbai-400 104, India

◆ Phone: +91 22 28791745 / 55 / 56 ◆ Fax: +91 22 28752130

◆ Email: sdind@vsnl.com ◆ www.sdindustries.com

"We Deliver Confidence Through Quality Products."