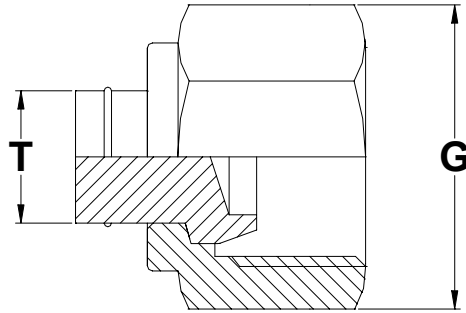


## FITTING END CLOSURE



	G	PART NO.
mm	mm	
3	11	D-CAP3
6	14	D-CAP6
8	16	D-CAP8
10	19	D-CAP10
12	22	D-CAP12
14	25	D-CAP14
15	25	D-CAP15
16	25	D-CAP16
18	30	D-CAP18
20	32	D-CAP20
22	32	D-CAP22
25	38	D-CAP25

TUBE OD - T	G	PATR NO.
inch	mm	
1/8	11	2D-CAP
1/4	14	4D-CAP
5/16	16	5D-CAP
3/8	17	6D-CAP
1/2	22	8D-CAP
5/8	25	10D-CAP
3/4	30	12D-CAP
7/8	32	14D-CAP
1	38	16D-CAP

## **S.D.INDUSTRIES.**

An ISO 9001 : 2000 Company

**Hydraulics, Pneumatics, Instrumentation Fittings, Manifolds & Valves**

2/10, Singh Industrial Estate, Ram Mandir Road, Goregaon (W), Mumbai-400 104, India

◆ Phone: +91 22 28791745 / 55 / 56 ◆ Fax: +91 22 28752130

◆ Email: [sdind@vsnl.com](mailto:sdind@vsnl.com) ◆ [www.sdindustries.com](http://www.sdindustries.com)