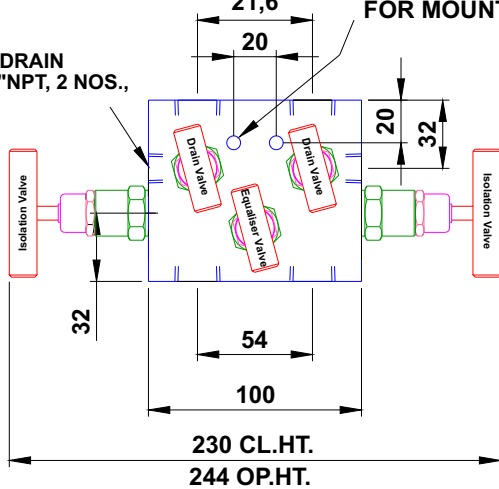


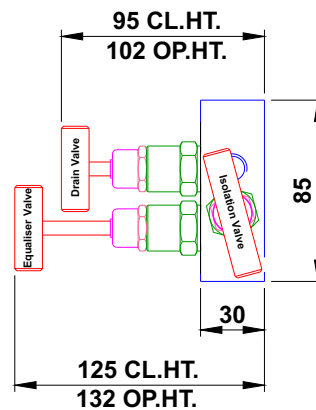
Instrument  
1/2" NPT(F)

Ø6.5, 2 NOS,  
FOR MOUNTING

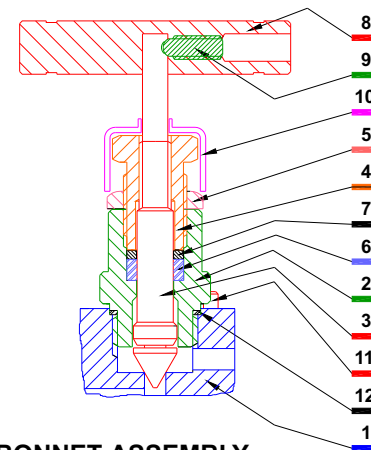
DRAIN  
1/4"NPT, 2 NOS.,



Process  
1/2" NPT(F)



### BONNET ASSEMBLY



#### FEATURES :

##### - 5 VALVE MANIFOLD (STRAIGHT TYPE)

- 5 valve manifolds are designed for remote or separate mounting. Connecting from process side 1/2" NPT(F) and Instrument side 1/2" NPT(F) Connecting system impulse lines and transmitters, having simple five valves configuration which allows for easy two block or Isolate, two, one Bleed or Vent valve calibration of a static pressure transmitter or gauge.
- Bleed/vent connection with s.s. plug will be provided on request.
- Approximate weight : xxx Kg (xxx Lbs.).
- Heat code traceability

##### - BONNET ASSEMBLY

- Screwed bonnet design.
- Bonnet-back seated blow out proof.
- Spindle - Ground and thread rolled.
- Spindle tip-Non rotating tip shut off type
- stellited, Regulating-stellited and soft seated.
- Bonnet pusher - silver plated for anti galling freezing for increased stem cycle life.
- Dust cap protects stem threads from externals contamination.
- Leak tight seal with low operating torque.

#### - TECHNICAL SPECIFICATIONS

- Size : 1/4", 1/2"
- End connection : NPT, BSPT, Socket weld.
- Working Pressure : 6000 Psi (413 Bar)
- Temperature Rating : PTFE 450 Deg. F (232 Deg. C) Grafoil 700 Deg. F (371 Deg. C)
- Material of construction : SS 316, SS 304, Monel, C.S.
- Optional Sour Gas service valves are available confirming to NACE Std. MR - 01 - 75
- Stem packing : PTFE, Grafoil.
- Orifice : Dia. 4.0
- All valves are 100% Factory tested prior to shipment.

#### - APPLICATION

- Refineries, liquid petroleum gas processing plant, petro-chemical plants, systems difficult to shur off due to solid contents dust, rust, dirt etc.

#### - MANIFOLD SELECTION INFORMATION DATA

- Pressure & temperature ratings are selected from ANSI B 16.34 for standard class 2500

#### - TESTING

- Pneumatic Seat test is performed at 1/4 of working pressure.
- Hydrostatic shell test is performed at 1.5 times the working pressure.
- Optional test are available upon request.

#### - LUBRICATION

- Dye molly sulphide

DRN. BY	Mr.SATYAWAN	DRAWING NO :	CH - 5VMS - 00 - CL	REV :	00
APPRD. BY	Mr.TEJINDER	TITLE :	5 VALVE MANIFOLD - STRAIGHT TYPE (MODEL : 5VMS) (PIPE TO PIPE CONNECTION)		
MATERIAL	AS GIVEN				
SCALE	NTS			<b>S.D.INDUSTRIES</b>	
THIRD ANGLE PROJ			Tel : 91-22-28724724 / 28738511 Fax : 91-22-28752130 Web : www.sdindustries.com Email : sdind@vsnl.com		